

# JQX-14FC<sub>1</sub>



29×12.8×26

 us E160644

## Features

- Heavy load, suitable for heavy power reverse.
- Small size, suitable for high-density mounting.
- Up to 5000VAC dielectric strength.
- Suitable for remote control TV set, copy machine, sales machine and air conditioner etc.

## Ordering Information

**JQX-14FC<sub>1</sub>** C S 10 DC12V 3.5

1 2 3 4 5 6 7

1 Part number: JQX-14FC <sub>1</sub>	5 Coil rated voltage(V): DC:3,5,6,9,12,24,48
2 Contact arrangement: JQX-14FC <sub>1</sub> : A:1A; A2:1A2; C:1C; C2:1C2	6 Coil power: NIL:0.53W
3 Enclosure: S: Wash tight; Z: Flux proof	7 Pole-distance: 3.5:3.5mm(1A,1C);
4 Contact current: 5A,8A,10A,16A,20A	5:5.0mm(1A2,1C2)

## Contact Data

Contact Arrangement	1A(SPSTNO) 1C(SPDT(B-M))	
Contact Material	AgSnO <sub>2</sub>	
Contact Rating	1A:16A,20A/250VAC,30VDC 1C:10A,16A,20A/250VAC,30VDC;10A/14VDC (20A Application for 5mm Pole-distance)	
	Motor load:1HP 250VAC ; ½HP 125VAC	
	TV-5	
Max. Switching Power	1A,1C:600W 5000VA	
Max. Switching Voltage	30VDC 277VAC	Max. Switching Current:20A
Contact Resistance	≤100mΩ	Item 4.12 of IEC 61810-7
Electrical Endurance	1×10 <sup>5</sup>	Item 4.30 of IEC 61810-7
Mechanical Endurance	1×10 <sup>7</sup>	Item 4.31 of IEC 61810-7

## Coil Parameter

Dash numbers	Coil voltage VDC		Coil resistance Ω ± 10%	Pick-up voltage VDC(max) (75%of rated voltage)	Drop-out voltage VDC(min) (10%of rated voltage)	Coil power W	Operate time ms	Release time ms
	Rated	Max						
003-530	3	3.9	17	2.25	0.3	0.53	≤20	≤10
005-530	5	6.5	47	3.75	0.5			
006-530	6	7.8	68	4.50	0.6			
009-530	9	11.7	153	6.75	0.9			
012-530	12	15.6	275	9.00	1.2			
024-530	24	31.2	1100	18.0	2.4			
048-530	48	62.4	4357	36.0	4.8			

**Notes:** 1.The use of any coil voltage less than the rated coil voltage will compromise the operation of the relay.  
2.Pick-up and drop-out voltage are for test purposes only and are not to be used as design criteria.

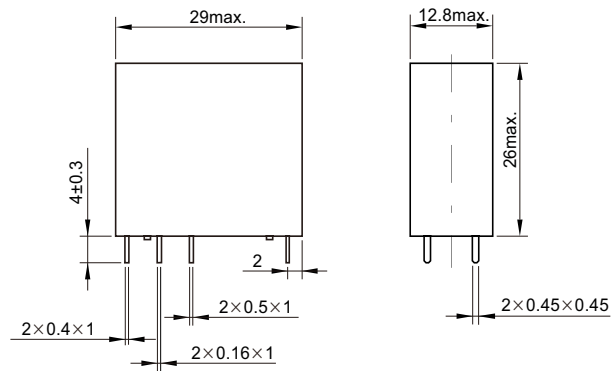
## Characteristics

Insulation Resistance	500MΩmin (at 500VDC)	Item 4.11 of IEC 61810-7
Dielectric Strength Between Contacts Between Contact and Coil	1000VAC 1min 5000VAC 1min	Item 4.9 of IEC 61810-7
Shock Resistance	98m/s <sup>2</sup> 11ms	Item 4.26 of IEC 61810-7
Vibration Resistance	10Hz~50Hz Double amplitude 1.5mm	Item 4.28 of IEC 61810-7
Terminals Strength	10N	Item 4.24 of IEC 61810-7
Ambient Temperature	-40℃~70℃	
Relative Humidity	5% to 85%	Item 4.16 of IEC 61810-7
Weight(Approx.)	17g~20g	Item 4.7 of IEC 61810-7

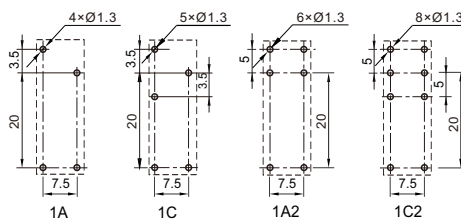
## Safety Approvals

Safety approval	UL&CUR
Load	1C:16A/250VAC 1HP 250VAC 1/2HP 125VAC TV-5

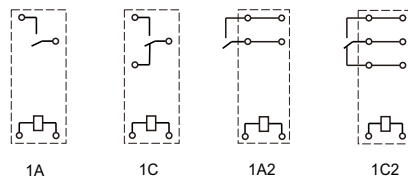
## Reference Data



Dimensions



Mounting (Bottom view)



Wiring diagram(Bottom view)

**Remark:** In case of no tolerance shown in outline dimension: outline dimension ≤1mm, tolerance should be ±0.2mm ;  
outline dimension >1mm and ≤5mm, tolerance should be ±0.3mm; outline dimension >5mm, tolerance should be ±0.4mm.