



12×12.9×9.9

NV23K

Features

- Small size, light weight.
- Withstands high temperature, operating under 105°C ambient temperature.
- Heavy contact load switching current up to 30A.
- Suitable for automobile and lamp accessories application.

Ordering Information

NV23K C Z 0.57 DC12V 30

1 2 3 4 5 6

1 Part number: NV23K
2 Contact arrangement: A:1A; C:1C
3 Enclosure: S:Wash tight; Z:Flux proof

4 Coil power: 0.55:0.55W; 0.57:0.57W
5 Coil rated voltage(V): DC:5,10,12,24
6 Contact rating: 30:30A; 20:20A

Contact Data

Contact Arrangement	1A(SPSTNO) 1C(SPDT(B-M))	
Contact Material	AgSnO ₂	
Contact Rating	NO:30A/14VDC; NC:25A/14VDC NO:20A/14VDC; NC:15A/14VDC	
Max. Switching Power	420W	
Max. Switching Voltage	24VDC	Max. Switching Current:30A
Max. carrying current	NO:40A for 2 minutes,30A for 1 hour(12VDC at 20°C) 35A for 2 minutes,25A for 1hour(12VDC at 85°C)	
Voltage Drop(Initial)	Typ.: 50mV(at 10A)	Item 4.12 of IEC 61810-7
Electrical Endurance	1×10 ⁵	Item 4.30 of IEC 61810-7
Mechanical Endurance	1×10 ⁷	Item 4.31 of IEC 61810-7

Coil Parameter

Coil voltage VDC		Coil resistance Ω ± 10%	Pick-up voltage VDC(max) (58% of rated voltage)	Drop-out voltage VDC(min) (12.5% of rated voltage)	Coil power W	Operate time ms	Release time ms
Rated	Max.						
5	6	45.5	3.5 ¹⁾	0.625	0.55	≤4	≤1.5
10	12	181	5.8	1.25			
12	14.4	261	7	1.5			
10	12	175.4	5.8	1.25	0.57		
12	14.4	254	7	1.5			
24	28.8	1010	13.9	3			

Notes: 1. Max.Pick-up voltage of 5VDC, 70% of rated voltage .

2.The use of any coil voltage less than the rated coil voltage will compromise the operation of the relay.

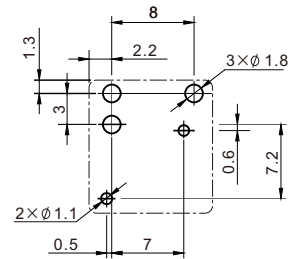
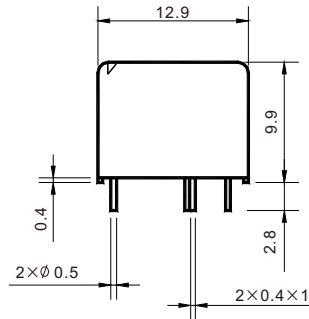
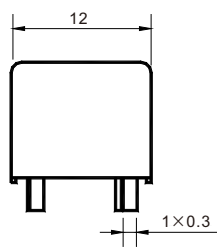
3.Pick-up and drop-out voltage are for test purposes only and are not to be used as design criteria.

Characteristics

Insulation Resistance	1000MΩ min (at 500VDC)	Item 4.11 of IEC 61810-7
Dielectric Strength Between Open Contacts Between Contact and Coil	500VAC 1min 500VAC 1min	Item 4.9 of IEC 61810-7
Shock Resistance	294m/s ² 6ms	Item 4.26 of IEC 61810-7
Vibration Resistance	10Hz~500Hz Double amplitude 1.27mm 60m/s ²	Item 4.28 of IEC 61810-7
Terminals Strength	10N	Item 4.24 of IEC 61810-7
Ambient Temperature	-40℃~105℃	
Relative Humidity	5% to 85%	Item 4.16 of IEC 61810-7
Weight (Approx.)	4g	Item 4.7 of IEC 61810-7

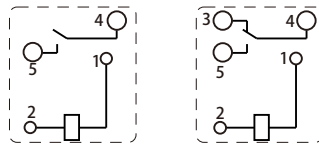
Dimensions

mm



Mounting (Bottom view)

Dimensions



1A

1C

Wiring diagram (Bottom view)

Remark: In case of no tolerance shown in outline dimension: outline dimensions ≤ 1mm, tolerance should be ±0.2mm ;
outline dimension > 1mm and ≤ 5mm, tolerance should be ±0.3mm; outline dimension > 5mm, tolerance should be ±0.4mm.