



21×10×12

N4078

c  us E158859  R50126375

Features

- Small size, light weight.
- Low coil power consumption.
- PC board mounting.
- Suitable for household electrical appliances, automation system, electronic equipment, instrument, meter, telecommunication facilities and remote control facilities.

Ordering Information

N4078 - 2C - 3V - 0.2W

1 2 3 4

1 Part number: N4078

2 Contact arrangement: 2C:2C

3 Coil rated voltage(V): DC:5,9,12,24

4 Coil power: 0.2W;0.36W

Contact Data

Contact Arrangement	2C (DPDT (B-M))		
Contact Material	Ag,AgNi(Au plated)		
Contact Rating	2A/30VDC;1A/125VAC,24VDC		
Max. Switching Power	60W 125VA		
Max. Switching Voltage	30VDC 220VAC	Max.Switching Current:2A	
Contact Resistance	≤50mΩ	Item 4.12 of IEC 61810-7	
Electrical Endurance	1×10 ⁵	Item 4.30 of IEC 61810-7	
Mechanical Endurance	1×10 ⁷	Item 4.31 of IEC 61810-7	

Notes: For gold plated version, the min. switching current and min. switching voltage is 50mA/6VDC; for non gold plated version (standard type),the min. switching current and min. switching voltage is 100mA/6VDC.

Coil Parameter

Dash numbers	Coil voltage VDC		Coil resistance Ω ± 10%	Pick-up voltage VDC (max) (70% of rated voltage)	Drop-out voltage VDC (min) (10% of rated voltage)	Coil power W	Operate time ms	Release time ms
	Rated	Max						
005-200	5	6.5	125	3.50	0.5	0.20	≤6	≤5
009-200	9	11.7	405	6.75	0.9			
012-200	12	15.6	720	8.40	1.2			
024-200	24	31.2	2880	18.0	2.4			
005-360	5	6.5	70	3.50	0.5	0.36	≤6	≤5
012-360	12	15.6	400	8.40	1.2			
024-360	24	31.2	1600	18.0	2.4			

Notes: 1. The use of any coil voltage less than the rated coil voltage will compromise the operation of the relay.
2. Pick-up and drop-out voltage are for test purposes only and are not to be used as design criteria.

Characteristics

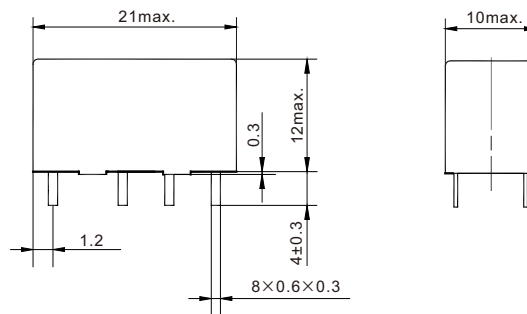
Insulation Resistance	500MΩmin (at 500V)	Item 4.11 of IEC 61810-7
Dielectric Strength Between Contacts Between Contact and Coil	500VAC 1min 1000VAC 1min	Item 4.9 of IEC 61810-7
Shock Resistance	490m/s ² 11ms	Item 4.26 of IEC 61810-7
Vibration Resistance	10Hz~70Hz Double amplitude 1.5mm	Item 4.28 of IEC 61810-7
Terminals Strength	5N	Item 4.24 of IEC 61810-7
Ambient Temperature	-30°C~70°C	
Relative Humidity	5% to 85%	Item 4.16 of IEC 61810-7
Weight(Approx.)	5.5g	Item 4.7 of IEC 61810-7

Safety Approvals

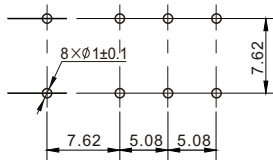
Safety approval	UL & CUR	TüV
Load	2A/30VDC; 1A/125VAC, 24VDC	1A/125VAC; 24VDC

Dimensions

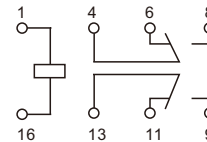
mm



Dimensions



Mounting (Bottom view)



Wiring diagram
(Bottom view)

Remark: In case of no tolerance shown in outline dimension: outline dimension ≤1mm, tolerance should be ±0.2mm; outline dimension >1mm and ≤5mm, tolerance should be ±0.3mm; outline dimension >5mm, tolerance should be ±0.4mm.

Reference Data

